

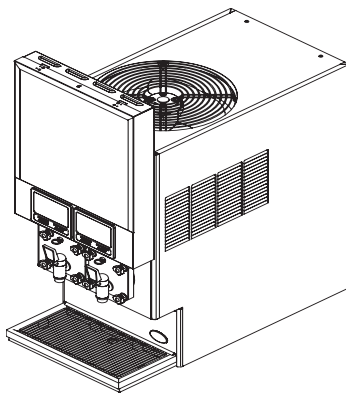


PARTS CATALOG

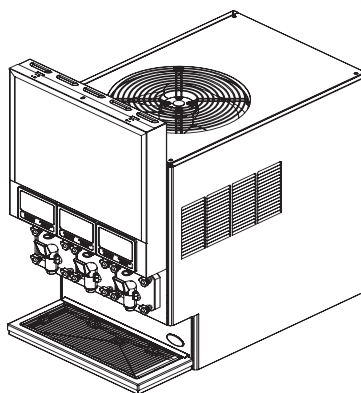
MODEL FBD56X SERIES FROZEN BEVERAGE DISPENSERS (INCLUDES AFC™ PARTS)

THIS DOCUMENT CONTAINS PARTS LISTINGS AND ILLUSTRATIONS FOR STANDARD PRODUCTION 562, 563 AND 564 DISPENSERS.

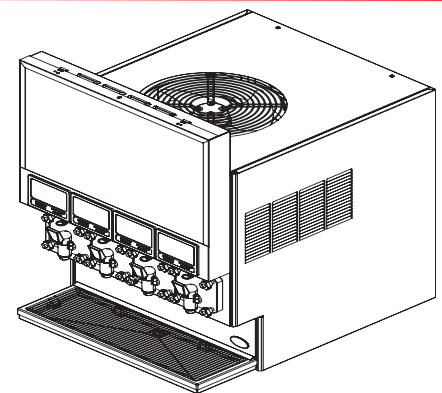
FOR INFORMATION CONCERNING PARTS NOT CONTAINED WITHIN THIS CATALOG OR IF YOU HAVE QUESTIONS CONCERNING PARTS FOR CUSTOMER UNIQUE EQUIPMENT, CONTACT FBD CUSTOMER SERVICE AT 1-866-323-2777



FBD562



FBD563



FBD564

NOTICE:

*The information contained in this document is subject to change without notice.
Updates can be viewed on the FBD website (www.fbdfrozen.com).*

FBD MAKES NO WARRANTY OF ANY KIND WITH REGARD TO THIS MATERIAL, INCLUDING, BUT NOT LIMITED TO, THE IMPLIED WARRANTIES OF MERCHANTABILITY AND FITNESS FOR A PARTICULAR PURPOSE. FBD shall not be liable for errors contained herein or for incidental consequential damages in connection with the furnishings, performance, or use of this material.

This document contains proprietary information which is protected by copyright. All rights reserved.

©2013 FBD Partnership, LP. All Rights Reserved.

***This manual supersedes and replaces 24-2280-0002/Rev Level 05,
dated 06/28/2010, and is designated as Revision Level 06***

Please refer to the FBD web site (www.fbdfrozen.com) for information relating to FBD Installation, Operation and Service Manuals, Instruction Sheets, Technical Bulletins, Service Bulletins, etc.

REV LEVEL 06: 10/08/2013
FBD Part Number: 24-2280-0002

DISPENSERS PRODUCED BY THE FROZEN BEVERAGE DISPENSER (FBD) PARTNERSHIP HAVE ESTABLISHED AN ENVIABLE RECORD OF PERFORMANCE AND DEPENDABILITY.

WE TRUST THAT YOUR EXPERIENCE WITH FBD EQUIPMENT ECHOES THOSE WORDS.

BUT WE ALSO RECOGNIZE THAT SOME PIECES OF EQUIPMENT WILL OCCASIONALLY FAIL, ESPECIALLY IN HIGH VOLUME SALES MACHINES. WITH THAT IN MIND, THIS SINGLE VOLUME PARTS CATALOG HAS BEEN DESIGNED TO HELP YOU ORDER ONLY THE PARTS THAT YOU, OUR CUSTOMER, REQUIRE TO KEEP YOUR DISPENSER OPERATING IN TOP NOTCH CONDITION.

SHOULD YOU FAIL TO FIND WHAT YOU ARE LOOKING FOR, OR IF YOU NEED TO DISCUSS UNIQUE PARTS OR OPERATION OF YOUR DISPENSER, PLEASE CONTACT OUR CUSTOMER SERVICE STAFF AT 1-866-323-2777.

INFORMATION CONCERNING THE INSTALLATION, OPERATION, AND SERVICE FOR THE 56X SERIES DISPENSERS CAN BE FOUND IN THE 56X MANUALS AND MORE SPECIFICALLY, IN THE 24-2280-00XX MANUALS, ON THE FBD WEB SITE AT WWW.FBDFROZEN.COM.

YOUR COMMENTS CONCERNING THIS CATALOG ARE ALSO WELCOME.

HOW TO PURCHASE PARTS IF NECESSARY

Purchase orders may be faxed direct to **1-210-637-2832**, or e-mailed to **extremefrozen@fbdfrozen.com**

Monday - Friday

7:00 a.m. - 5:30 p.m. Central Time

Ph 1-210-637-2800

FAX 1-210-637-2832

Toll Free 1-866-323-2777

Please contact FBD Technical Support at 1-866-323-2777 for assistance.

NOTES

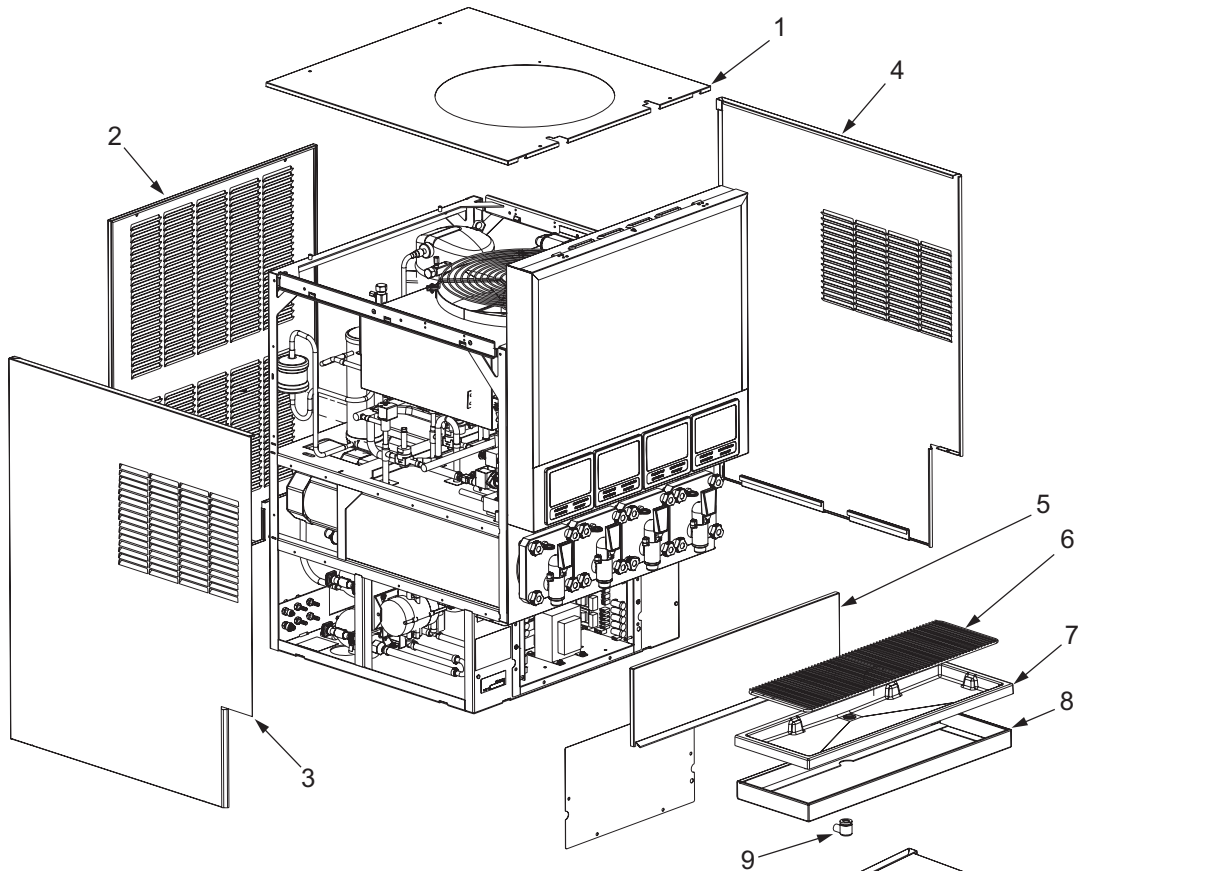
TABLE OF CONTENTS

HOW TO PURCHASE PARTS IF NECESSARY	2
TABLE OF CONTENTS.....	3
1. ILLUSTRATIONS, PARTS LISTINGS, AND DIAGRAMS.....	4
1.1 PANEL ASSEMBLIES (TOP, REAR, AND SIDES) AND FRONT ASSEMBLY	4-5
1.2 SOLUTION MODULE ASSEMBLY	6
1.3 GAS MODULE ASSEMBLY.....	6
1.4 PUMP REGULATOR ASSEMBLY	7
1.5 EXPANSION TANK ASSEMBLY	7
1.6 BEATER BAR ASSEMBLY	7
1.7 DISPENSING NOZZLES AND FACE PLATE ASSEMBLIES.....	8-9
1.8 KITS, DDV DISPENSING NOZZLE	10-11
1.9 KITS, SDV DISPENSING NOZZLE	12
1.10 DOOR ASSEMBLY, LED	13
1.11 DOOR ASSEMBLY, ANNUNCIATOR.....	14
1.12 DOOR ASSEMBLY, ID	14
1.13 ACRYLIC KEYPAD ASSEMBLY.....	15
1.14 CONTROLLER BOARD ASSEMBLY, 562, 562ID, 563, 563ID, 564, 564ID AND ALL WATER COOLED VERSIONS	15
1.15 ELECTRICAL BOX ASSEMBLY	16
1.16 GEAR ASSEMBLY MOTOR	17
1.17 FREEZE PACK ASSEMBLY.....	17
1.18 CONDENSER COIL, FILTER AND FAN/SHROUD ASSEMBLY	18
1.19 FAN/SHROUD ASSEMBLY	19
1.20 COMPRESSOR ASSEMBLY.....	19
1.21 TUBE LOCATIONS.....	20

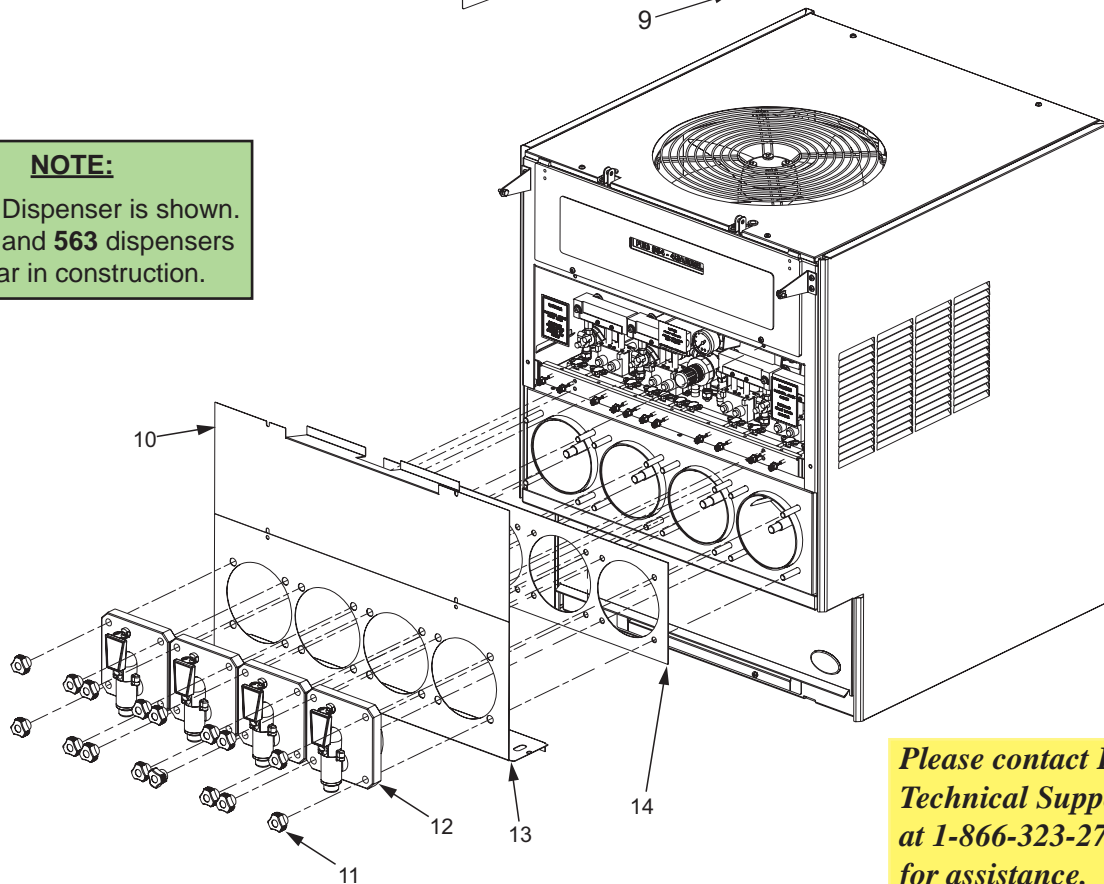
*Please contact FBD
Technical Support
at 1-866-323-2777
for assistance.*

1. ILLUSTRATIONS, PARTS LISTINGS, AND DIAGRAMS

1.1 PANEL ASSEMBLIES (TOP, REAR, AND SIDES) AND FRONT ASSEMBLY



NOTE:
The 564 Dispenser is shown.
The 562 and 563 dispensers
are similar in construction.



*Please contact FBD
Technical Support
at 1-866-323-2777
for assistance.*

1.1 PANEL ASSEMBLIES (TOP, REAR, AND SIDES) AND FRONT ASSEMBLY (CONTINUED)

FBD562 DISPENSER PARTS

<u>ITEM</u>	<u>PART NO.</u>	<u>DESCRIPTION</u>	<u>QTY</u>	<u>ITEM</u>	<u>PART NO.</u>	<u>DESCRIPTION</u>	<u>QTY</u>
1	17-2648-0001	Top Panel	1	11	18-0921-0001	Face Plate Knob	8
2	12-0929-0005	Panel, Back Assy, 230V/60Hz	1	R 12	12-0251-0001	Acrylic Face Plate Assy (FCB)	2
3	12-0297-0003	Panel Assy, Left	1	--	12-0251-0002	Acrylic Face Plate Assy (FUB)	2
4	12-0296-0003	Panel Assy, Right	1	R --	12-0251-0003	Acrylic Face Plate Assy, ADA DDV (FCB)	2
5	17-0221-0004	Splash Plate	1	R --	12-0251-0005	Acrylic Face Plate Assy, ADA DDV (FUB)	3
6	17-2051-0001	Cup rest	1	--	12-0251-0110	Acrylic Face Plate Assy, SDV	2
7	19-2006-0001	Drip Tray, Plastic	1	13	17-0201-0011	Freeze Pack Cover	1
8	17-2633-0001	Support, Drip Tray	1	14	40-0351-0005	Gasket, Cold Pack	1
9	12-2546-0001	Kit, Drain	1	R in margin indicates change or revision			
10	17-2595-0008	Cover, Front	1				
--	17-2595-0009	Cover, Front, Side Open Door (SOD)	1				
--	17-2595-0562	Cover, Front, Slotted, No Tool Filter	1				

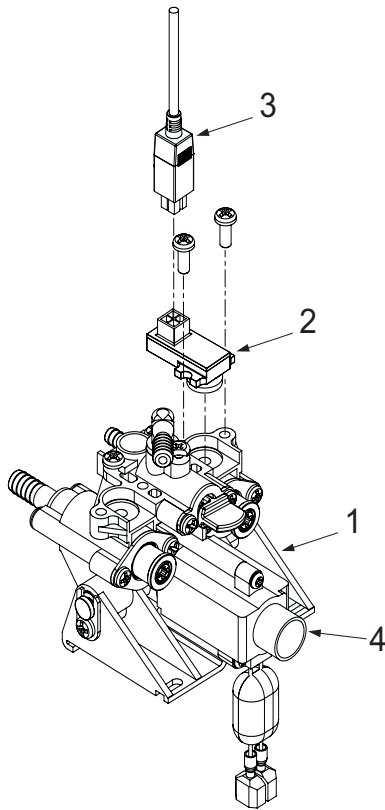
FBD563 DISPENSER PARTS

<u>ITEM</u>	<u>PART NO.</u>	<u>DESCRIPTION</u>	<u>QTY</u>	<u>ITEM</u>	<u>PART NO.</u>	<u>DESCRIPTION</u>	<u>QTY</u>
1	17-2652-0001	Top Panel	1	11	18-0921-0001	Face Plate Knob	12
2	12-2839-0001	Panel, Back Assy, 230V/60Hz	1	R 12	12-0251-0001	Acrylic Face Plate Assy (FCB)	3
3	12-0297-0003	Panel Assy, Left	1	--	12-0251-0002	Acrylic Face Plate Assy (FUB)	3
4	12-0296-0003	Panel Assy, Right	1	R --	12-0251-0003	Acrylic Face Plate Assy, ADA DDV (FCB)	3
5	17-0221-0030	Splash Plate	1	R --	12-0251-0005	Acrylic Face Plate Assy, ADA DDV (FUB)	3
6	17-2636-0001	Cup rest	1	--	12-0251-0110	Acrylic Face Plate Assy, SDV	3
7	19-2230-0001	Drip Tray, Plastic	1	13	17-2638-0002	Freeze Pack Cover	1
8	17-2634-0001	Support, Drip Tray	1	14	40-2002-0002	Gasket, Cold Pack	1
9	12-2546-0001	Kit, Drain	1	R in margin indicates change or revision			
10	17-2595-0007	Cover, Front	1				
--	17-2595-0006	Cover, Front, Side Open Door (SOD)	1				
--	17-2595-014	Cover, Front, Slotted, No Tool Filter	1				

FBD564 DISPENSER PARTS

<u>ITEM</u>	<u>PART NO.</u>	<u>DESCRIPTION</u>	<u>QTY</u>	<u>ITEM</u>	<u>PART NO.</u>	<u>DESCRIPTION</u>	<u>QTY</u>
1	12-2598-0001	Top Panel	1	11	18-0921-0001	Face Plate Knob	16
2	12-2781-0001	Panel, Back Assy, 230V/60Hz	1	R 12	12-0251-0001	Acrylic Face Plate Assy (FCB)	4
3	12-0297-0003	Panel Assy, Left	1	--	12-0251-0002	Acrylic Face Plate Assy (FUB)	4
4	12-0296-0003	Panel Assy, Right	1	R --	12-0251-0003	Acrylic Face Plate Assy, ADA DDV (FCB)	4
5	17-2597-0001	Splash Plate	1	R --	12-0251-0005	Acrylic Face Plate Assy, ADA DDV (FUB)	3
6	17-2603-0001	Cup rest	1	--	12-0251-0110	Acrylic Face Plate Assy, SDV	4
7	19-2218-0002	Drip Tray, Plastic	1	13	17-2594-0001	Freeze Pack Cover	1
8	17-2602-0001	Support, Drip Tray	1	14	40-2039-0002	Gasket, Cold Pack	1
9	12-2546-0001	Kit, Drain	1	R in margin indicates change or revision			
10	17-2595-0001	Cover, Front	1				
--	17-2595-0005	Cover, Front, Side Open Door (SOD)	1				
--	17-2595-0564	Cover, Front, Slotted, No Tool Filter	1				

1.2 SOLUTION MODULE ASSEMBLY



ITEM	PART NO.	DESCRIPTION	QTY
1	12-2867-0101	Solution Module Assy	1
2	12-2681-0100	Pressure Transducer	1
3	12-2681-0140	Harness, 40"	1
R 4	46-2010-0001	Solenoid	1

R in margin indicates change or revision

NOTE:

The Assembly, Item 1, also includes Item 4.

NOTE:

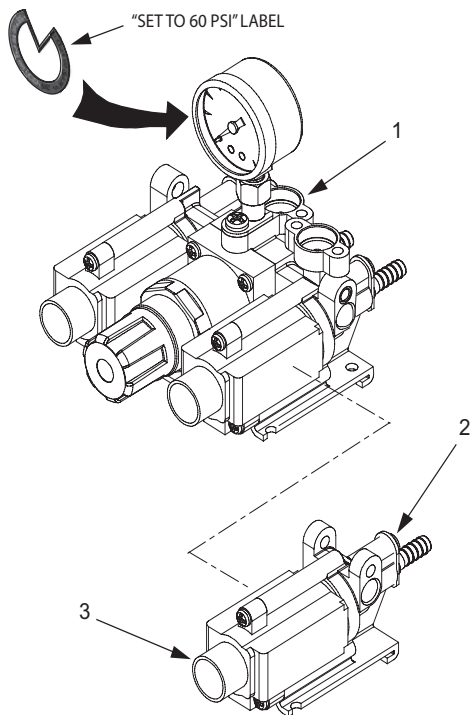
The Pressure Transducer, PN 12-2681-0100, and the Harness, PN 12-2681-0140, can also be ordered as a Kit, PN 12-2681-0200.

NOTE:

Same solenoid, PN 46-2010-0001, is used on gas module and solution module.

***Please contact FBD
Technical Support
at 1-866-323-2777
for assistance.***

1.3 GAS MODULE ASSEMBLY



ITEM	PART NO.	DESCRIPTION	QTY
1	12-2867-0106	CO2 Module Assy	1
-	12-2867-0206	CO2 Module Assy, AFC	1
-	12-2867-0306	CO2 Module Assy, AFC with "Set To 60 PSI" Label	1
R -	12-2867-0806	CO2 Module Assy, AFC HE, with "Set To 60 PSI" Label	1
R 2	12-2867-0107	CO2 Attachment Module Assy, 562	1
R -	12-2867-0207	CO2 Attachment Module Assy, AFC, 562	1
R -	12-2867-0807	CO2 Attachment Module Assy, AFC HE, 562	1
R 3	46-2010-0001	Solenoid	1

R in margin indicates change or revision

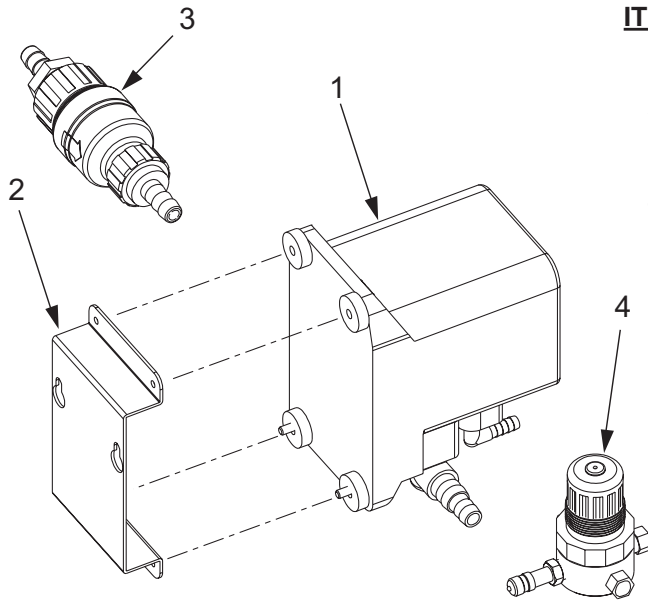
NOTE:

Same solenoid, PN 46-2010-0001, is used on gas module and solution module.

NOTE:

One additional module is required for the **563**; two additional modules are required for the **564**.

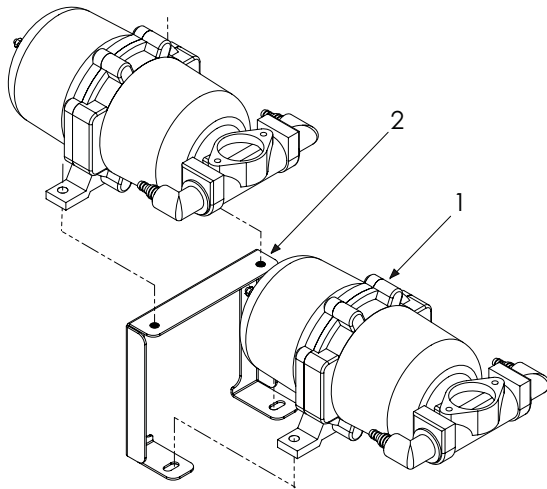
1.4 PUMP REGULATOR ASSEMBLY



ITEM	PART NO.	DESCRIPTION	QTY
1	34-2030-0001	Flojet Pump with Fittings,	1
2	17-2692-0005	Bracket, Flojet Pump Adaptor	1
3	38-2007-0002	Regulator, Water, Flojet	1
4	12-2787-0100	Active Charge Assy	1

Please contact FBD Technical Support at 1-866-323-2777 for assistance.

1.5 EXPANSION TANK ASSEMBLY



ITEM	PART NO.	DESCRIPTION	QTY
1	38-2004-0001	Tank Assy, Expansion	AR
R 2	17-2006-0001	Bracket, Expansion Tank	AR

R in margin indicates change or revision

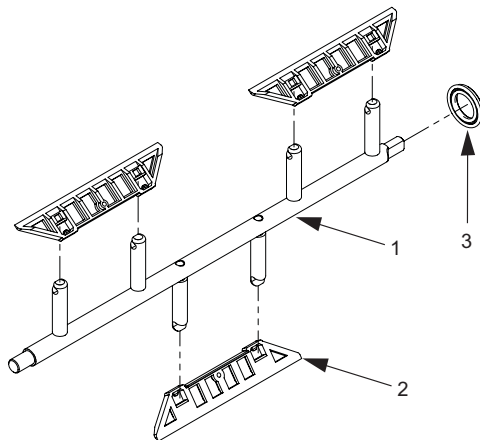
NOTE:

The **563** requires one bracket (PN 17-2006-0001) and the **564** requires two brackets.

NOTE:

The **562** Dispenser requires 2 Expansion Tanks
 The **563** Dispenser requires 3 Expansion Tanks
 The **564** Dispenser requires 4 Expansion Tanks

1.6 BEATER BAR ASSEMBLY, 56X SERIES



NOTE:

The **562** Dispenser requires 2 Assemblies
 The **563** Dispenser requires 3 Assemblies
 The **564** Dispenser requires 4 Assemblies

ITEM	PART NO.	DESCRIPTION	QTY
R 1	12-0301-0002	Beater Bar	AR
R 2	19-0100-0010	Scraper Blade	AR
R 3	40-0301-0003	Seal, Rear	AR

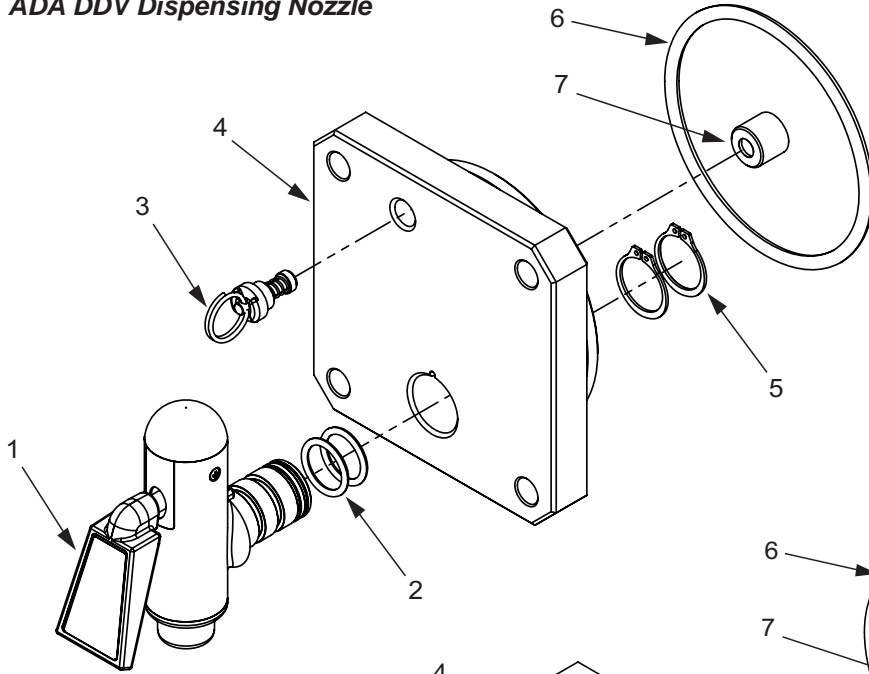
R in margin indicates change or revision

NOTE:

The Beater Bar Assy (PN 12-0301-0001) includes Items 1 and 2 only.

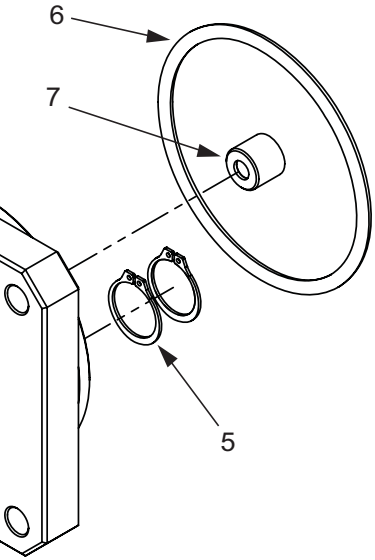
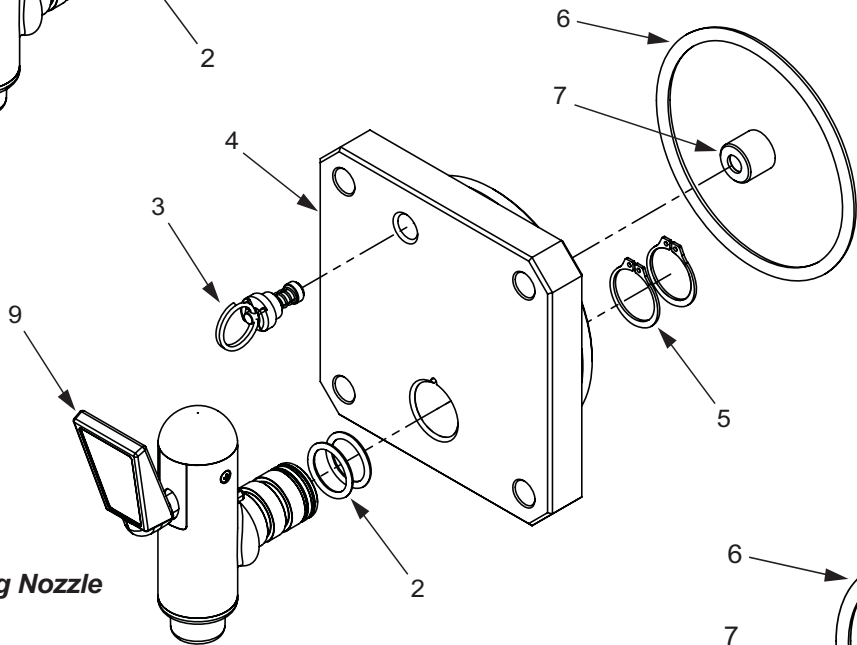
1.7 DISPENSING NOZZLES AND FACE PLATE ASSEMBLIES

ADA DDV Dispensing Nozzle



NOTE:
 The **562** Dispenser
 requires 2 Assemblies
 The **563** Dispenser
 requires 3 Assemblies
 The **564** Dispenser
 requires 4 Assemblies

DDV Dispensing Nozzle



SDV Dispensing Nozzle

**Please contact FBD
 Technical Support
 at 1-866-323-2777
 for assistance.**

1.7 DISPENSING NOZZLES AND FACE PLATE ASSEMBLIES (CONTINUED)

<u>ITEM</u>	<u>PART NO.</u>	<u>DESCRIPTION</u>	<u>QTY</u>
R 1	12-2747-0004	ADA DDV Assy, Molded (FCB)	1
R --	12-2747-0005	ADA DDV Assy, Molded (FUB)	1
R 2	40-0101-0001	O-Ring	2
3	12-0253-0010	Face Plate, Relief Valve	1
4	19-0161-0001	Face Plate, Clear Acrylic	1
R 5	18-0616-0001	Retaining Ring, External	2
R 6	40-0101-0002	Face, O-Ring	1
7	19-0186-0001	Bushing, Face Plate/ Beater Bar	1
R 8	12-2944-0001	FBD Dispensing Valve, Side Action, SDV	1
R 9	12-2747-0001	DDV Assy, Molded (FCB)	1
R --	12-2747-0002	DDV Assy, Molded (FUB)	1

Fully Assembled DDV Valve Assemblies

R --	12-0251-0001	Fully Assembled (FCB) DDV with Faceplate	1
R --	12-0251-0002	Fully Assembled (FUB) DDV with Faceplate	1
R --	12-0251-0003	Fully Assembled (FCB) ADA DDV with Faceplate	1
R --	12-0251-0005	Fully Assembled (FUB) ADA DDV with Faceplate	1

Fully Assembled SDV Valve Assemblies

R --	12-0251-0110	Fully Assembled SDV with Faceplate	1
------	--------------	---------------------------------------	---

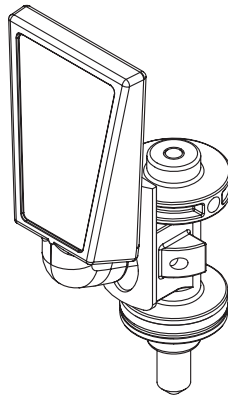
R in margin indicates change or revision

1.8 KITS, DDV DISPENSING NOZZLE

MINOR REBUILD KIT, DDV

12-2747-0011 Minor Rebuild Kit, FCB, DDV

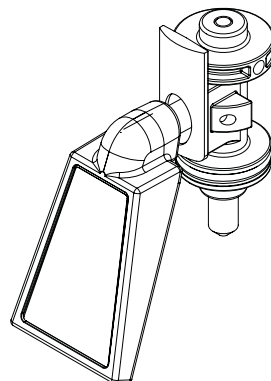
12-2747-0012 Minor Rebuild Kit, FUB, DDV



MINOR REBUILD KIT, ADA DDV

12-2747-0032 Minor Rebuild Kit, FCB, ADA DDV

12-2747-0033 Minor Rebuild Kit, FUB, ADA DDV



*Please contact FBD
Technical Support
at 1-866-323-2777
for assistance.*

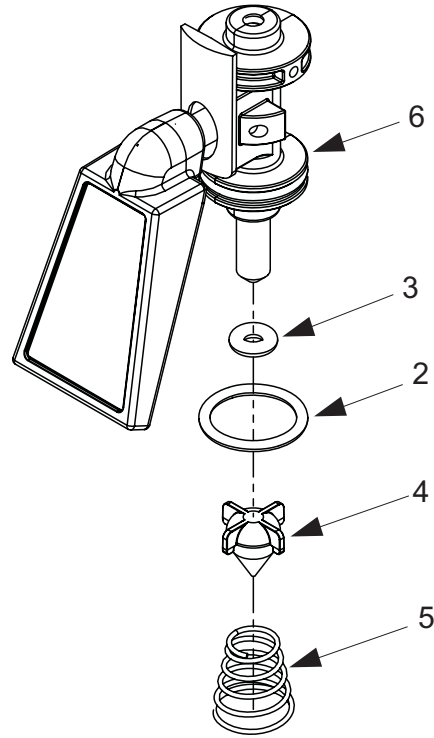
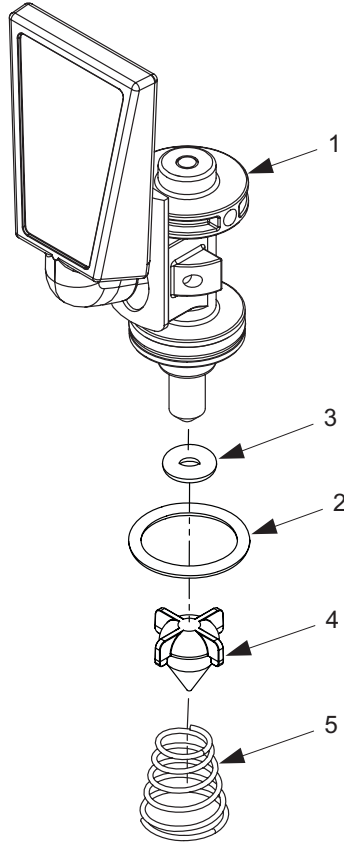
1.8 KITS, DDV DISPENSING NOZZLE (CONTINUED)

MAJOR REBUILD KIT, DDV

- 12-2747-0021 Major Rebuild Kit, FCB, DDV
- 12-2747-0022 Major Rebuild Kit, FUB, DDV

MAJOR REBUILD KIT, ADA DDV

- 12-2747-0034 Major Rebuild Kit, FCB, ADA DDV
- 12-2747-0035 Major Rebuild Kit, FUB, ADA DDV



ITEM	PART NO.	DESCRIPTION	QTY
R 1	12-2747-0011	Stem Assy, Kit, Molded FCB, DDV	1
R --	12-2747-0012	Stem Assy, Kit, Molded FUB, DDV	1
R 2	40-0101-0003	O-Ring, 2-117 (Buna-N)	1
R 3	40-0433-0003	O-Ring, 2-201, EPDM, 90 Durometer (FCB)	1
R --	40-2069-0001	O-Ring, 2-108, EPDM (FUB)	1
R 4	19-0202-0003	Diffuser, Dispense Valve	1
R 5	48-0105-0002	Spring, Conical, Molded DDV	1

ITEM	PART NO.	DESCRIPTION	QTY
R 6	12-2747-0032	Stem Assy, Kit, Molded ADA DDV FCB	1
R --	12-2747-0033	Stem Assy, Kit, Molded ADA DDV FUB	1

R in margin indicates change or revision

R in margin indicates change or revision

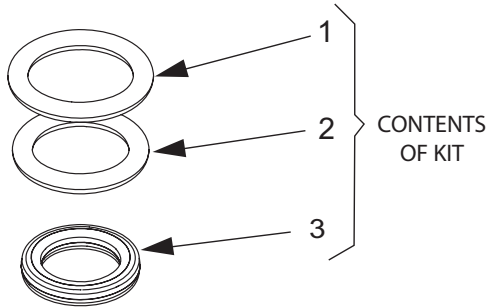
NOTE:
Items 1 and 3 are the only parts which are different in the FCB DDV and FUB DDV

Please contact FBD Technical Support at 1-866-323-2777 for assistance.

1.9 KITS, SDV DISPENSING NOZZLE

MINOR KIT, MOLDED, SDV. 12-2944-0020

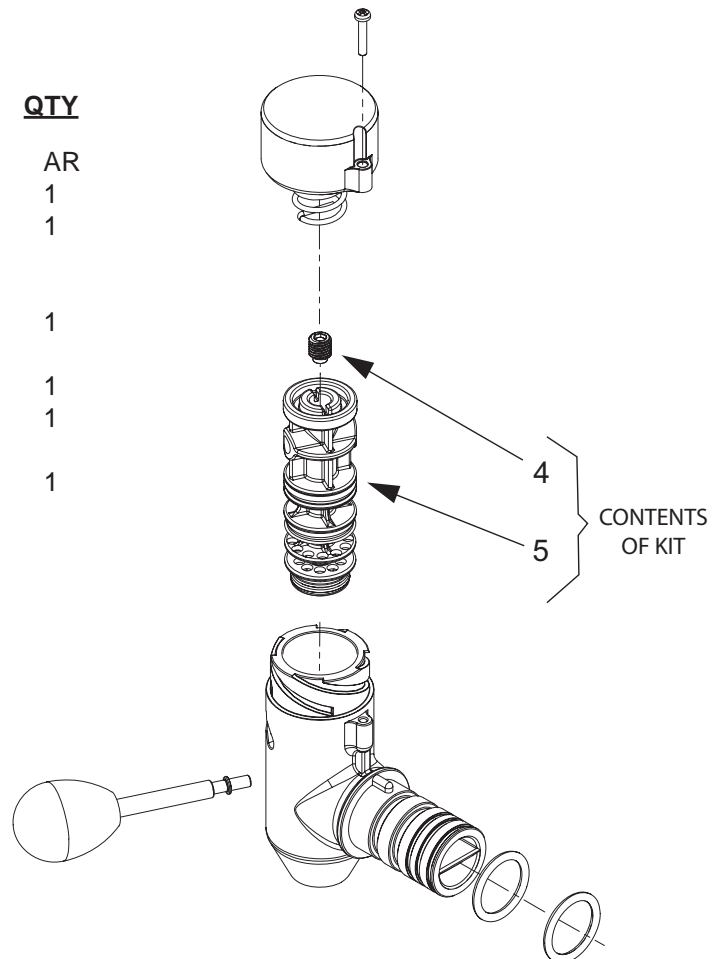
*Please contact FBD
Technical Support
at 1-866-323-2777
for assistance.*



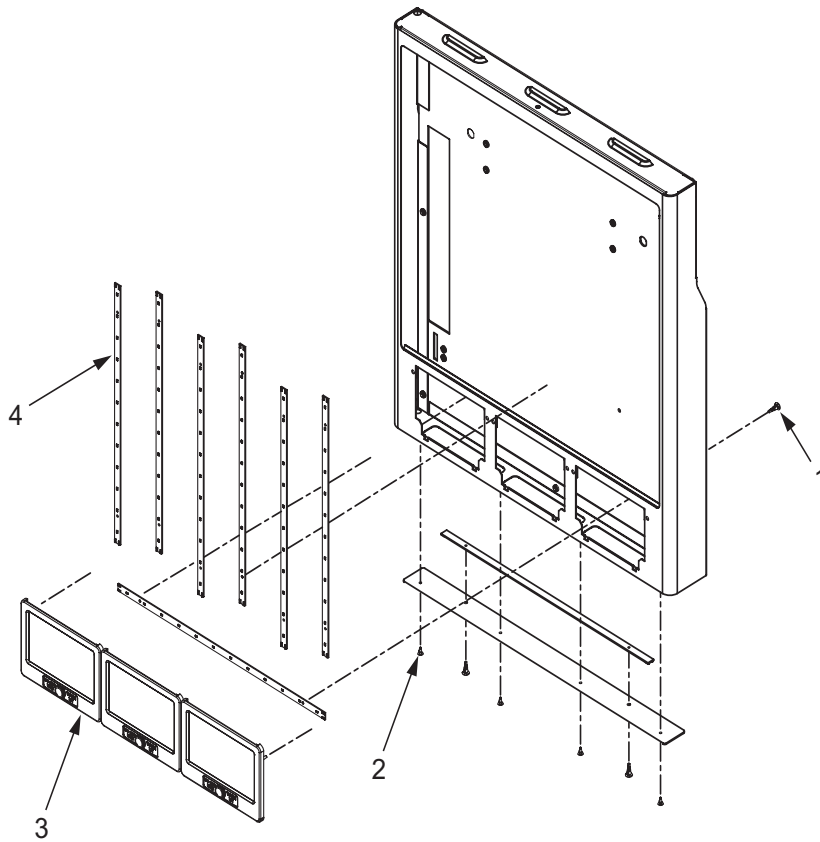
MAJOR REBUILD KIT, MOLDED SDV,
12-2944-0030

<u>ITEM</u>	<u>PART NO.</u>	<u>DESCRIPTION</u>	<u>QTY</u>
-	28-2001-0002	Lubricant, Dow 111	AR
-	19-2445-0001	O-Ring Pick	1
R 1	40-2064-0001	O-Ring, 2-210 (EDPM-Internally Lubricated)	1
R 2	40-2078-0001	O-Ring, 2-209 (Internally Lubed)	1
R 3	40-2065-0003	O-Ring, Quad 2-207	1
R 4	18-2325-0001	Set Screw, Pilot/Dog, 5/16-18X3/8, SS	1
5	12-2946-0001	Stem Assy, Side Action Valve	1

R in margin indicates change or revision



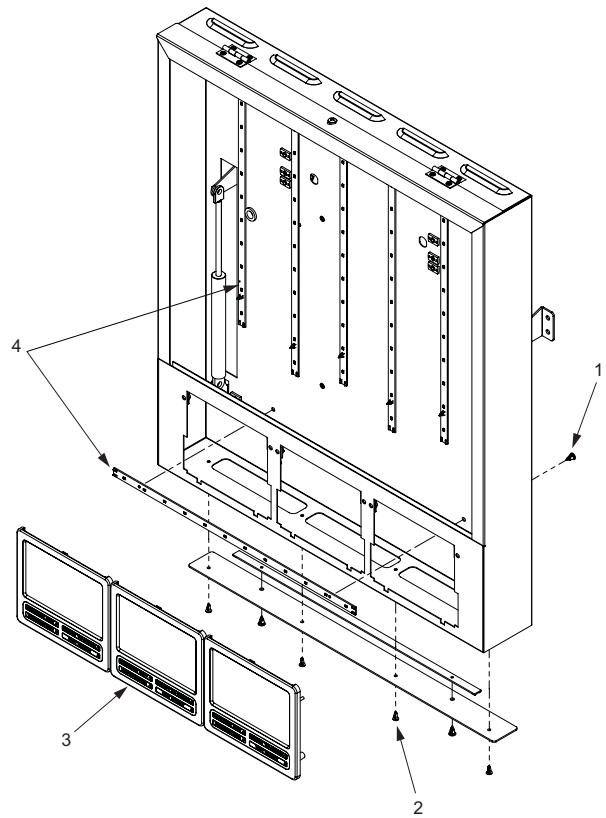
1.10 DOOR ASSEMBLY, LED



NOTE:
The 563 Dispenser Door is shown; the 562 and 564 doors are similar in construction and Part Numbers. Contact Customer Service if in doubt as to which to order.

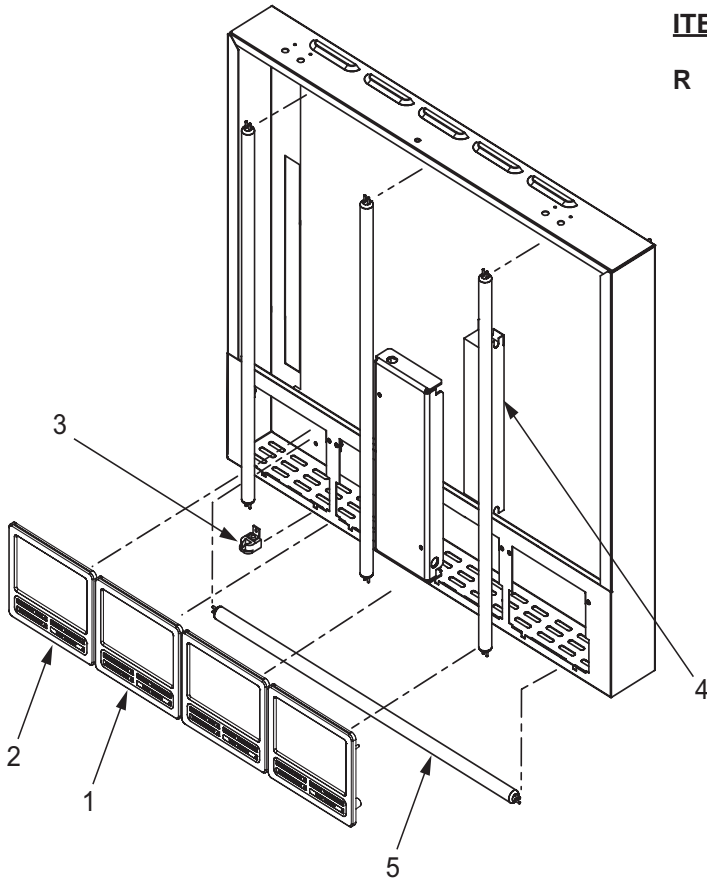
ITEM	PART NO.	DESCRIPTION	QTY
R 1	18-2396-0005	PCB Standoff, Reverse Locking, RICHCO	AR
2	18-2396-0004	Rivet, Nylon, LED Arrow Clip	AR
3	12-2932-3111	Black Bezel Assy, Clear with SOL	AR
R - -	12-2869-0003	Annun Bezel Assy, Clear	AR
R - -	12-2869-0004	Annun Bezel Assy, w/MBoard Clear	AR
4	14-2222-0001	LED Module Bar, with Connectors	AR

R in margin indicates change or revision



**Please contact FBD
Technical Support
at 1-866-323-2777
for assistance.**

1.11 DOOR ASSEMBLY, ANNUNCIATOR



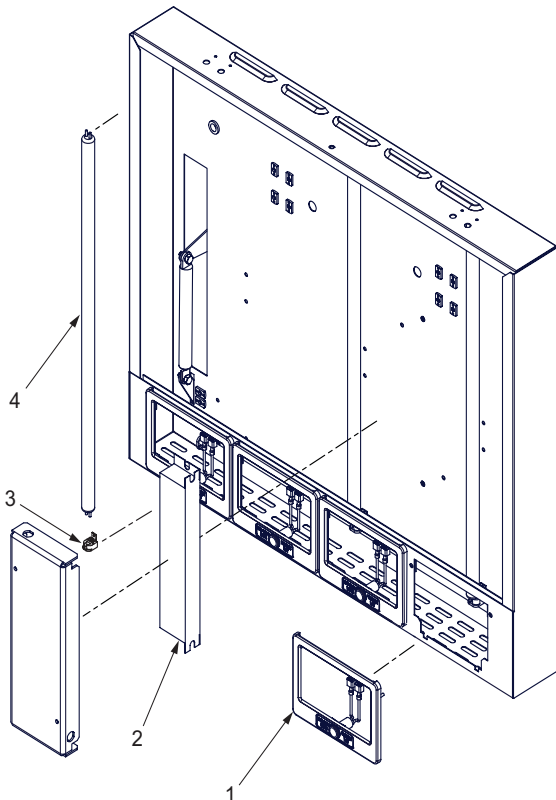
<u>ITEM</u>	<u>PART NO.</u>	<u>DESCRIPTION</u>	<u>QTY</u>
R 1	12-2869-0002	Bezel/Masterboard Assy, AR Flavor Card, 56X	AR
2	12-2869-0001	Bezel Assy, Flavor Card	AR
3	14-2001-0001	Lampholder, Miniature, Bi-Pin	AR
4	14-2114-0001	Ballast, Workhorse WH6-277L	1
5	14-2000-0001	Lamp, Fluorescent F13T5CW	AR
--	14-2055-0002	Lamp, Fluorescent F8T5CW	AR

R in margin indicates change or revision

NOTE:

The **564** Dispenser Doors are shown; **562** and **563** doors are similar in construction and Part Numbers. The Fluorescent Light Part Numbers will be different in the tall door versus the short door. Contact Customer Service if in doubt as to which to order.

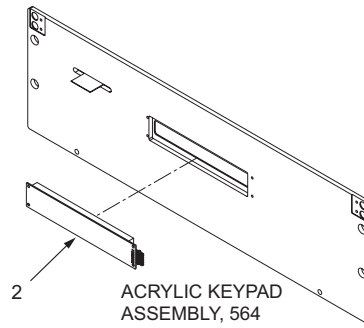
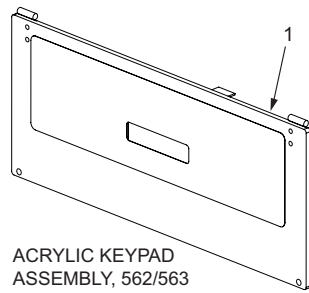
1.12 DOOR ASSEMBLY, ID



<u>ITEM</u>	<u>PART NO.</u>	<u>DESCRIPTION</u>	<u>QTY</u>
1	12-2932-0001	Bezel Assy, with Sold Out Light	AR
2	14-2114-0001	Ballast, Workhorse WH6-277L	1
3	14-2001-0001	Lampholder, Miniature, Bi-Pin	AR
4	14-2000-0001	Lamp, Fluorescent F13T5CW	AR
--	14-2055-0002	Lamp, Fluorescent F8T5CW	AR

Please contact FBD Technical Support at 1-866-323-2777 for assistance.

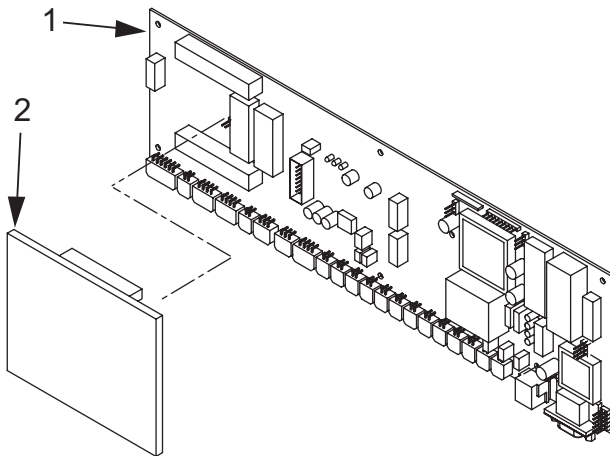
1.13 ACRYLIC KEYPAD ASSEMBLY



ITEM	PART NO.	DESCRIPTION	QTY	ITEM	PART NO.	DESCRIPTION	QTY
R 1	12-2901-0005	Keypad, Acrylic Assy, 562	1	--	12-0551-0003	20X2 LCD, Traditional Chinese/English	1
R --	12-2902-0003	Keypad, Acrylic Assy, 563	1	--	16-0351-0004	40X2 LCD, Traditional Chinese/English	1
R --	12-2770-0002	Keypad Assy, Acrylic 564	1	--	16-0351-0005	20X2 LCD, Simplified Chinese/English	1
--	12-2770-0012	Keypad, Acrylic Assy, 3bbl, 40 Character Window	1	--	16-0351-0006	40X2 LCD, Simplified Chinese/English	1
2	12-0551-0001	20X2 LCD, English Only	1	R --	16-0351-0010	40X2 LCD, Japanese/English	1
--	12-0551-0002	40X2 LCD, English Only	1				

R in margin indicates change or revision

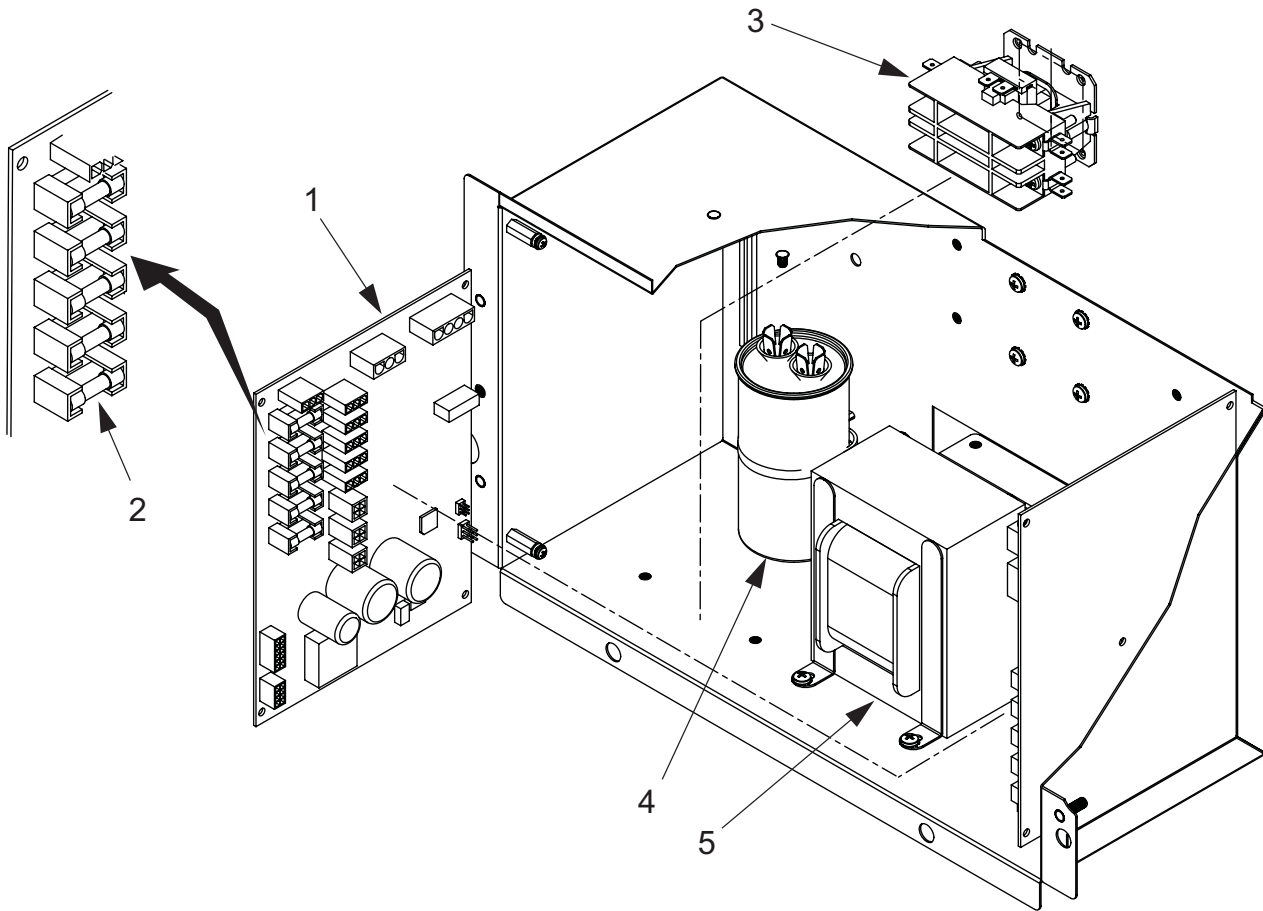
1.14 CONTROLLER BOARD ASSEMBLY, 562, 562ID, 563, 563ID, 564, 564ID AND ALL WATER COOLED VERSIONS



Please contact FBD Technical Support at 1-866-323-2777 for assistance.

ITEM	PART NO.	DESCRIPTION	QTY	ITEM	PART NO.	DESCRIPTION	QTY
UPPER BOARD ASSEMBLIES				1	16-2001-0001	Controller, ASM, 68HC11, PGD, MEM Modem	1
	12-2900-0003	562		2	16-2085-0002	DIO Board, 562 and 562 Water Cooled	1
	12-2900-0005	562ID		--	16-2003-0002	DIO Board, 562ID and 562ID Water Cooled	1
	12-2900-0503	562, Water Cooled		--	16-2085-0003	DIO Board, 563 and 563 Water Cooled	1
	12-2900-0505	562ID, Water Cooled		--	16-2003-0001	DIO Board, 563ID and 563ID Water Cooled	1
	12-2900-0001	563		--	16-2085-0004	DIO Board, ALL 564s	1
	12-2900-0002	563ID					
	12-2900-0501	563, Water Cooled					
	12-2900-0502	563ID, Water Cooled					
	12-2771-0001	564, 564ID					
	12-2771-0501	564, 564ID, Water Cooled					

1.15 ELECTRICAL BOX ASSEMBLY



ITEM	PART NO.	DESCRIPTION	QTY	ITEM	PART NO.	DESCRIPTION	QTY
1	16-2059-0001	Assy, Series, Lower Power Board	1	R 5	12-0570-0002	Transformer, 240V/192VA, 562, 563	1
--	70-2059-0001	Assy, Series, Lower Power Board, RoHS	1	--	12-0570-0005	Transformer, 240V/192VA, 564	1
R 2	14-0478-0002	Fuse, 5 x 20MM, 2.5A, 250V	5	R in margin indicates change or revision			

NOTE:

The **564** unit uses a quantity of two (2) lower power boards.

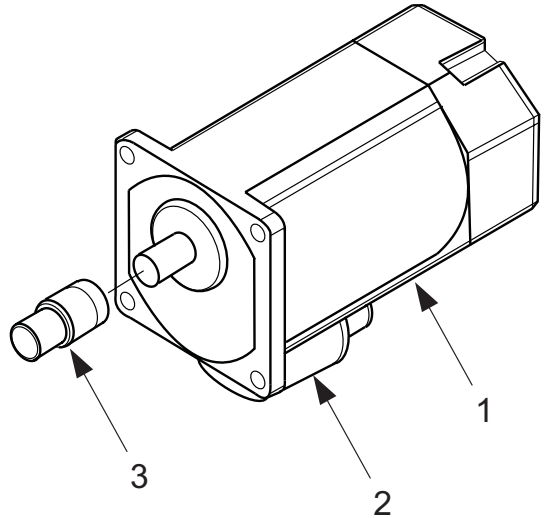
R 3	14-0391-0001	Contactor, 2 Pole, 30A	1
R 4	14-0482-0002	Capacitor, Compressor Run, 40 MFD, ZB15, 562 (60Hz), 563 (60Hz)	1
R --	14-2110-0001	Capacitor, Compressor Run, 45 MFD, ZB19, 562 (50Hz), 563 (50Hz), 564, 562HC, 563HC, 564HC	1

Please contact FBD Technical Support at 1-866-323-2777 for assistance.

1.16 GEAR MOTOR ASSEMBLY

NOTE:

The **562** Dispenser requires 2 Assemblies
 The **563** Dispenser requires 3 Assemblies
 The **564** Dispenser requires 4 Assemblies



<u>ITEM</u>	<u>PART NO.</u>	<u>DESCRIPTION</u>	<u>QTY</u>
1	30-0110-0001	Gear Motor, 60Hz	AR
R --	30-0111-0001	Gear Motor, 50Hz	AR
2	14-0484-0001	Capacitor, 4uF	AR
3	12-1151-0001	Assy, Ceramic Coupler	AR

NOTE:

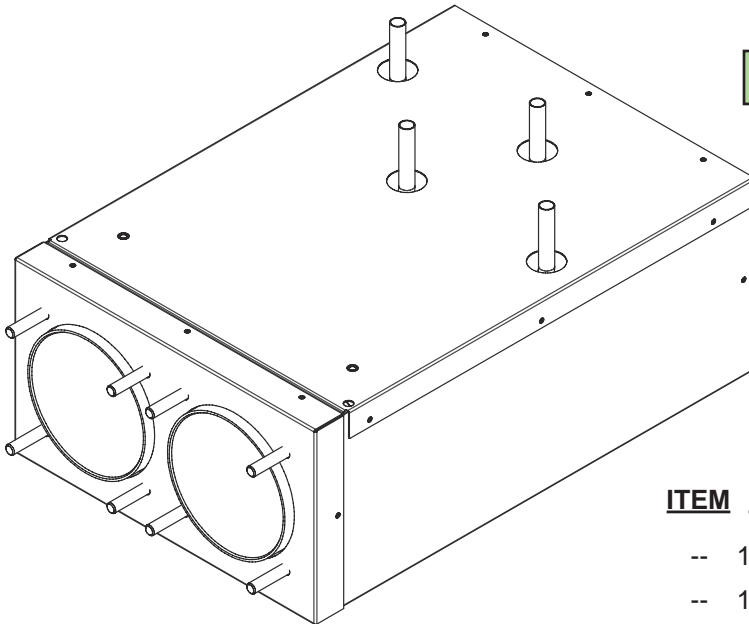
The complete Gear Motor Assembly (Items 1 through 3) is available, if required.

R --	12-0291-0003	Gear Motor Assy, 60Hz	AR
R --	12-2078-0001	Gear Motor Assy, 50Hz	AR

R in margin indicates change or revision

*Please contact FBD
 Technical Support
 at 1-866-323-2777
 for assistance.*

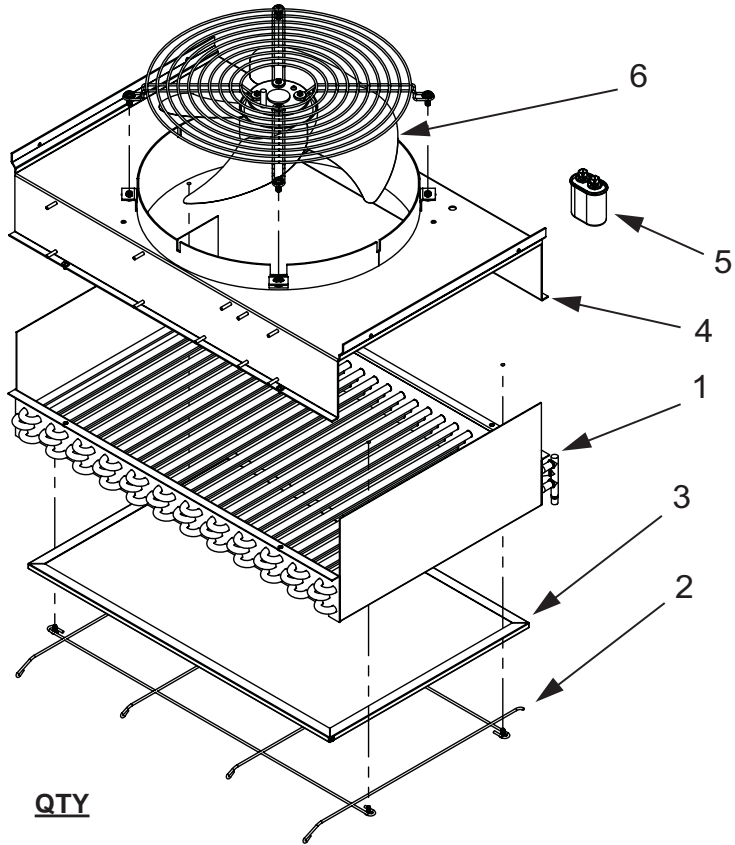
1.17 FREEZE PACK ASSEMBLY



562 Freeze Pack Assembly displayed

<u>ITEM</u>	<u>PART NO.</u>	<u>DESCRIPTION</u>	<u>QTY</u>
--	12-0501-0006	Freeze Pack Assy, 562	1
--	12-2058-0005	Freeze Pack Assy, 563	1
--	12-2058-0006	Freeze Pack Assy, 563S	1
--	12-2786-0003	Freeze Pack Assy, 564	1

1.18 CONDENSER COIL, FILTER AND FAN/SHROUD ASSEMBLY



NOTE:
564 unit is displayed.

NOTES:
The complete Condenser Assembly (Items 1 through 6) is available, if required.

ITEM	PART NO.	DESCRIPTION	QTY
R 1	36-2051-0001	Condenser with Filter Holder, 562	1
R --	36-2052-0002	Condenser with Filter Holder, 563	1
R --	36-2040-0004	Condenser with Filter Holder, 564	1
R 2	17-2626-0001	Wire Rack, Filter Support, 564 ONLY	1
R 3	20-0121-0021	Air Filter with AL GRD Short, 562	1
R --	20-2008-0021	Air Filter with AL GRD Short, 563	1
R --	20-2010-0021	Air Filter with AL GRD Short, 564	1
R --	20-0121-0020	Extended Filter, 562	1
R --	20-2008-0020	Extended Filter, 563	1
R --	20-2010-0020	Extended Filter, 564	1
R 4	17-2646-0001	Condenser/Fan Shroud, 562	1
R --	17-2652-0001	Condenser/Fan Shroud, 563	1
R --	17-2600-0006	Condenser/Fan Shroud, 564	1
R 5	14-0484-0001	Capacitor, 4.0 MFD	1
R 6	30-0105-0001	Condenser Fan Motor, 50/60Hz, 51 Series	1

CONDENSER ASSEMBLY PART NUMBERS

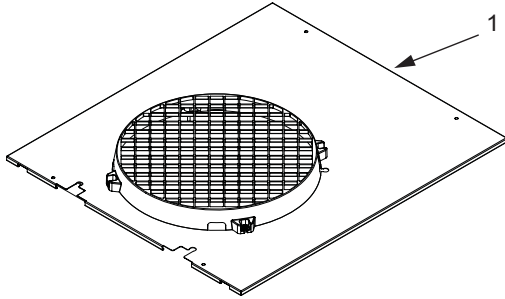
ITEM	PART NO.	DESCRIPTION	QTY
R --	12-2868-0001	Condenser Assy, 562	1
R --	12-2870-0001	Condenser Assy, 563	1
R --	12-2767-0002	Condenser Assy, 564	1

R in margin indicates change or revision

R in margin indicates change or revision

Please contact FBD Technical Support at 1-866-323-2777 for assistance.

1.19 FAN/SHROUD ASSEMBLY



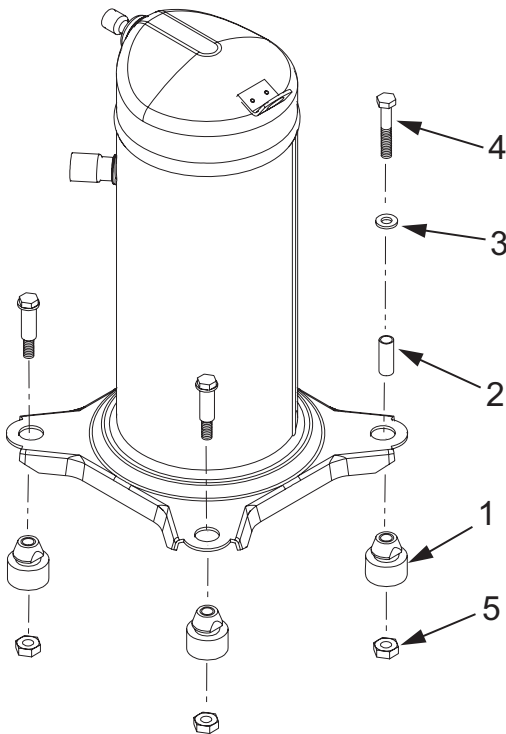
<u>ITEM</u>	<u>PART NO.</u>	<u>DESCRIPTION</u>	<u>QTY</u>
R 1	12-3152-0002	562 Ext Fan Shroud Top Panel Assy	1
R --	12-3152-0003	563 Ext Fan Shroud Top Panel Assy	1
R --	12-3152-0004	564 Ext Fan Shroud Top Panel Assy	1

R in margin indicates change or revision

NOTES:

This item is available and is used to aid airflow control for units in an enclosed area. This directs the hot air away from the unit instead of recirculating the hot air back into the unit.

1.20 COMPRESSOR ASSEMBLY



COMPRESSOR KIT PART NUMBERS

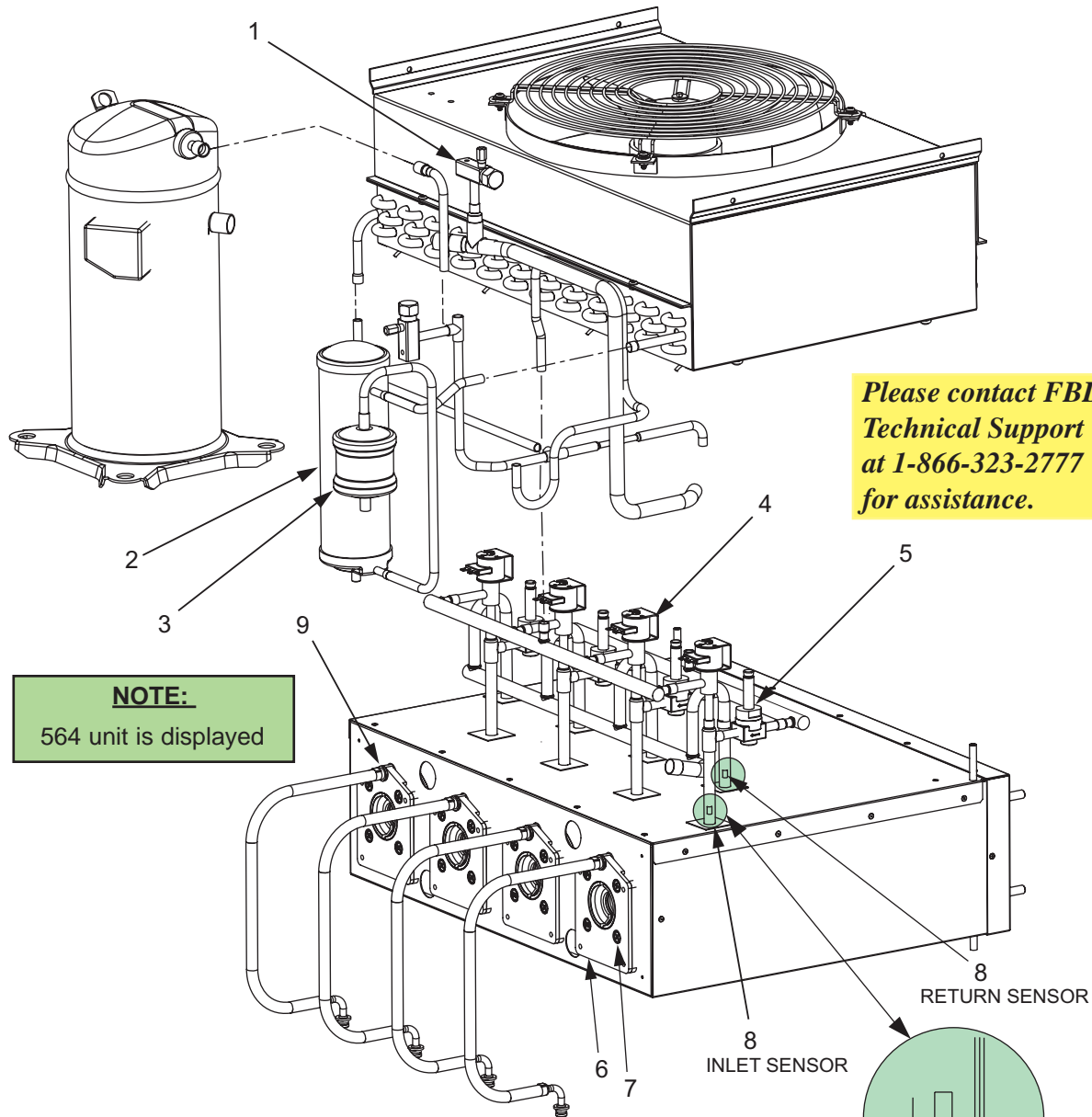
<u>ITEM</u>	<u>PART NO.</u>	<u>DESCRIPTION</u>	<u>QTY</u>
	12-2952-0002	Compressor Kit, ZB15, 562 and 563 230V/60Hz Units	
	12-2952-0003	Compressor Kit, ZB19, 562 and 563 230V/50Hz Units	
R	12-2952-0001	Compressor Kit, ZB19, 564 and 563HC 230V/60Hz Units	

The following items are **not** included in the Compressor Kits listed above:

<u>ITEM</u>	<u>PART NO.</u>	<u>DESCRIPTION</u>	<u>QTY</u>
1	40-0204-0001	Grommet, Compressor	4
2	40-0205-0001	Grommet, Sleeve	4
3	18-0402-0002	Washer, Flat, 5/16	4
4	18-0302-0001	Bolt, 5/16 - 18	4
5	18-0501-0001	Nut, Fin Hex, 5/16 - 18, Zinc	4

Please contact FBD Technical Support at 1-866-323-2777 for assistance.

1.21 TUBE LOCATIONS

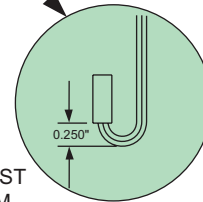


**Please contact FBD
Technical Support
at 1-866-323-2777
for assistance.**

NOTE:
564 unit is displayed

<u>ITEM</u>	<u>PART NO.</u>	<u>DESCRIPTION</u>	<u>QTY</u>
1	52-2018-0001	3/8" Shut Off Valve	2
2	36-2043-0002	Receiver, Vertical 2 Lb (564)	1
--	36-2006-0001	Receiver, 9" (562/563)	1
3	36-0156-0001	Drier	1
4	46-0102-0003	Expansion Valve with Solenoid	AR
5	46-0100-0003	Hot Gas Valve with Solenoid	AR
R 6	12-3155-0001	Composite Motor Plate Used on all units with 1007*** and ***W*** serial numbers, and Cold Pack serial numbers beginning with M, N, O, or P	AR
R --	19-2213-0001	Motor Plate, Plastic Used on all other Units	AR

NOTE:
CLIP TEMPERATURE
SENSOR WITH AT LEAST
1/4" CLEARANCE FROM
COLD PACK AS SHOWN



<u>ITEM</u>	<u>PART NO.</u>	<u>DESCRIPTION</u>	<u>QTY</u>
R 7	18-2409-0001	Sidewalk Bolt	AR
R 8	12-2059-0001	RTD Temperature Sensor	AR
R --	12-2602-0001	Kit, Replacement RTD Sensor (Does not include entire harness)	AR
R 9	22-2404-0005	Dole Fitting, 1/2" x 1/4" Barb *(22-2404-0007 used on 563S Model)	AR

R in margin indicates change or revision